



COVID-19 Adaptation Strategies  
Protective tools to keep your  
business running.

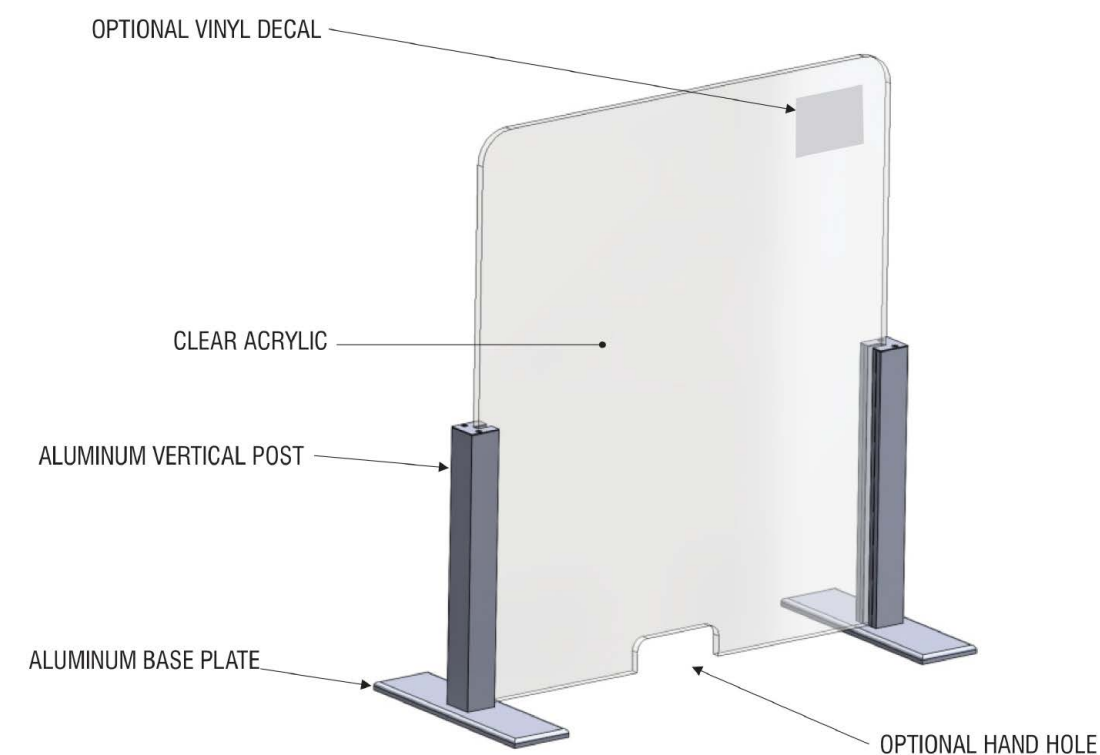
● ● ● Teller & Client Protection Screens

COVID-19 Adaptation Strategies | Personal Protective Guards



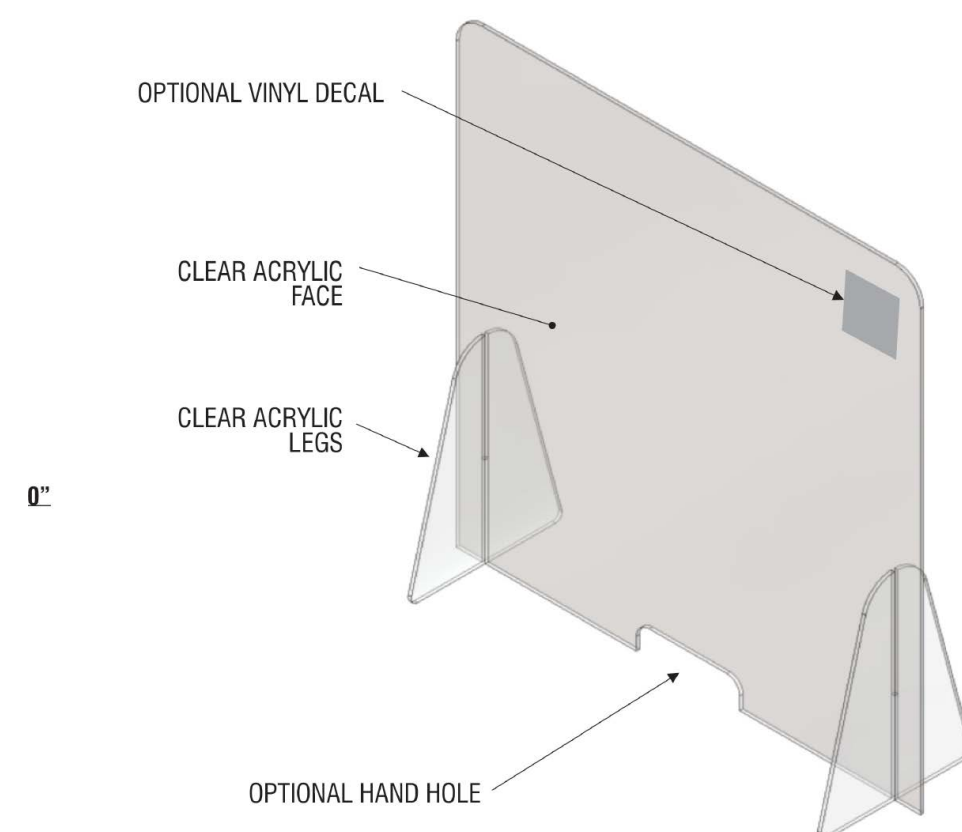
Looking for ways to protect yourself, your employees and your customers during this time? These clear acrylic privacy screens bring safety and ease to in-person interactions.

## Acrylic + Metal Support Version

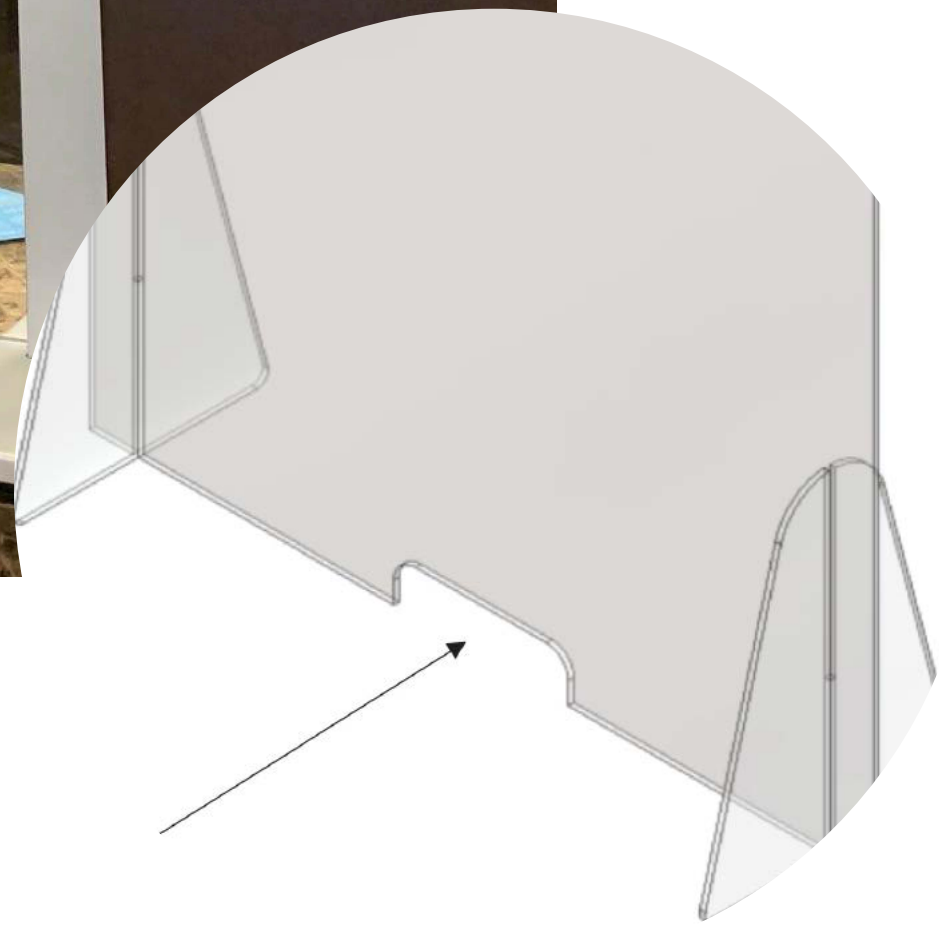
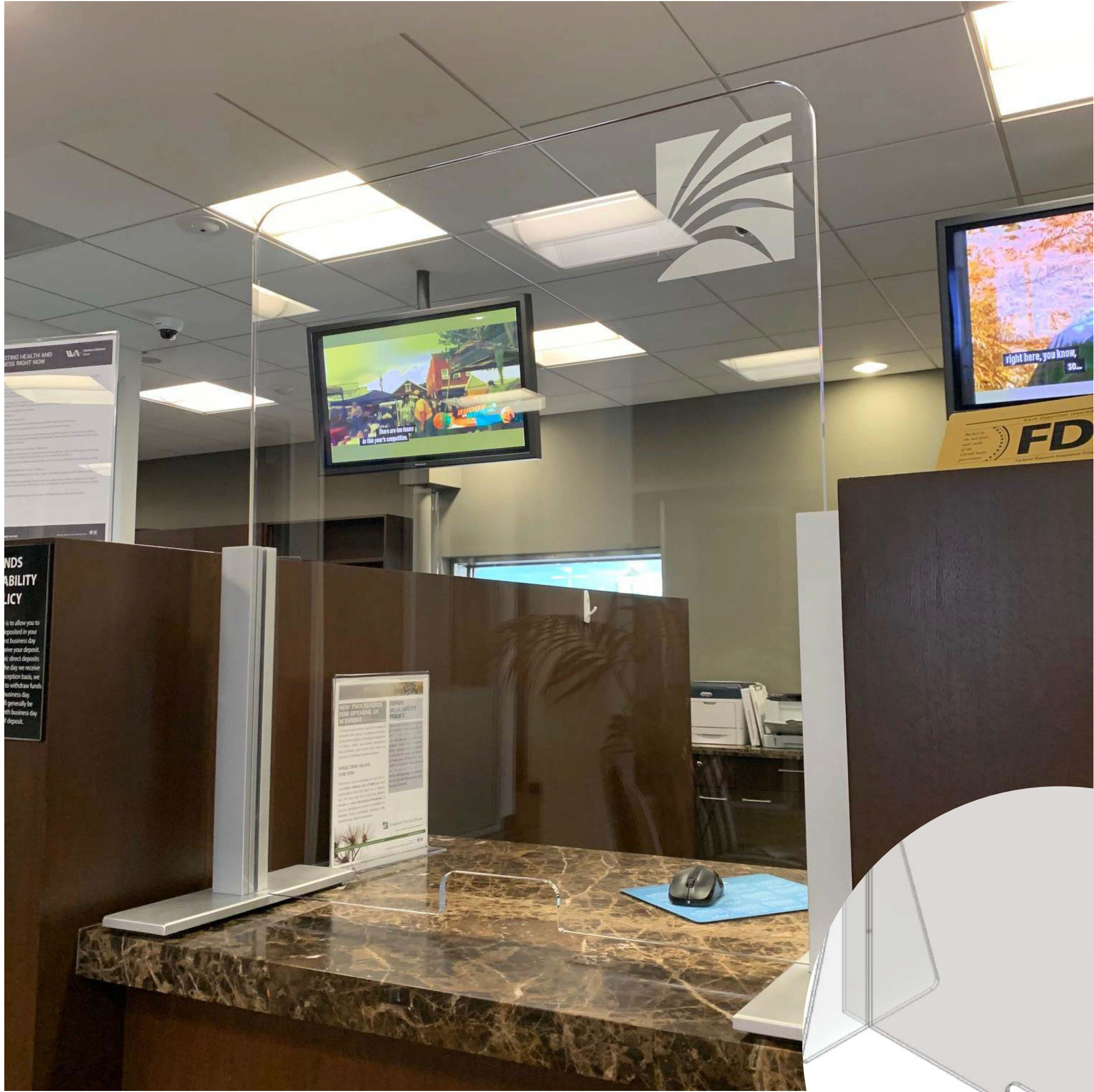


- Custom counter or table mounted clear acrylic personal protection guard. As shown 30" x 36" or 36" x 30".
- The acrylic can be sized to whatever size (or range of sizes) you may deem appropriate for your cash desks/POS stations.
- The polished edges of the acrylic give it an elevated appearance. Aesthetically pleasing enough to be left in place year round.
- Any logo or line of text can be added with frosted crystal vinyl which gives the appearance of sandblasting.
- These can be assembled and installed by store personnel. (Acrylic is sleeved into metal legs and secured with a set screw at the top of the leg. A cap is then screwed into place to cover the top of the leg opening.)

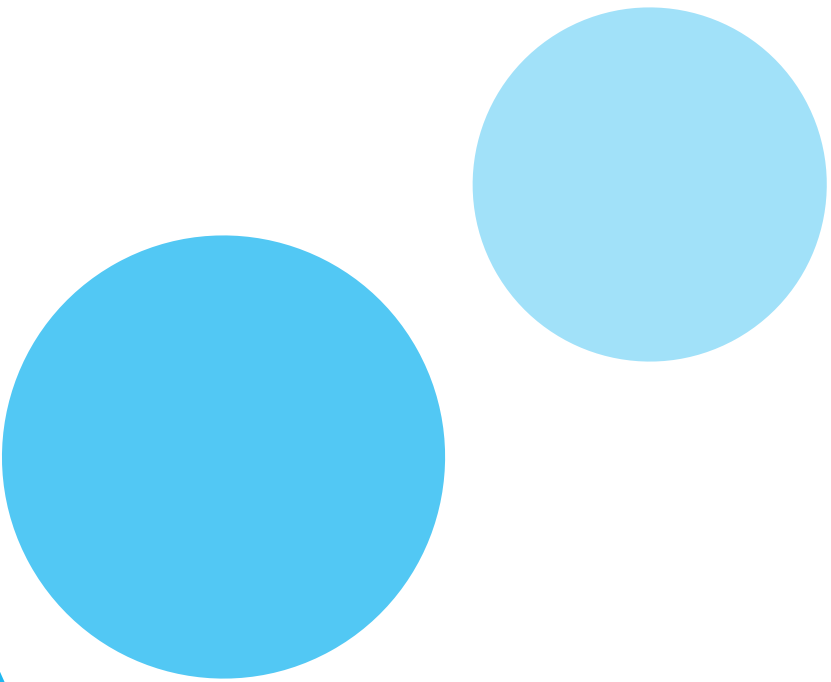
## All Acrylic Version



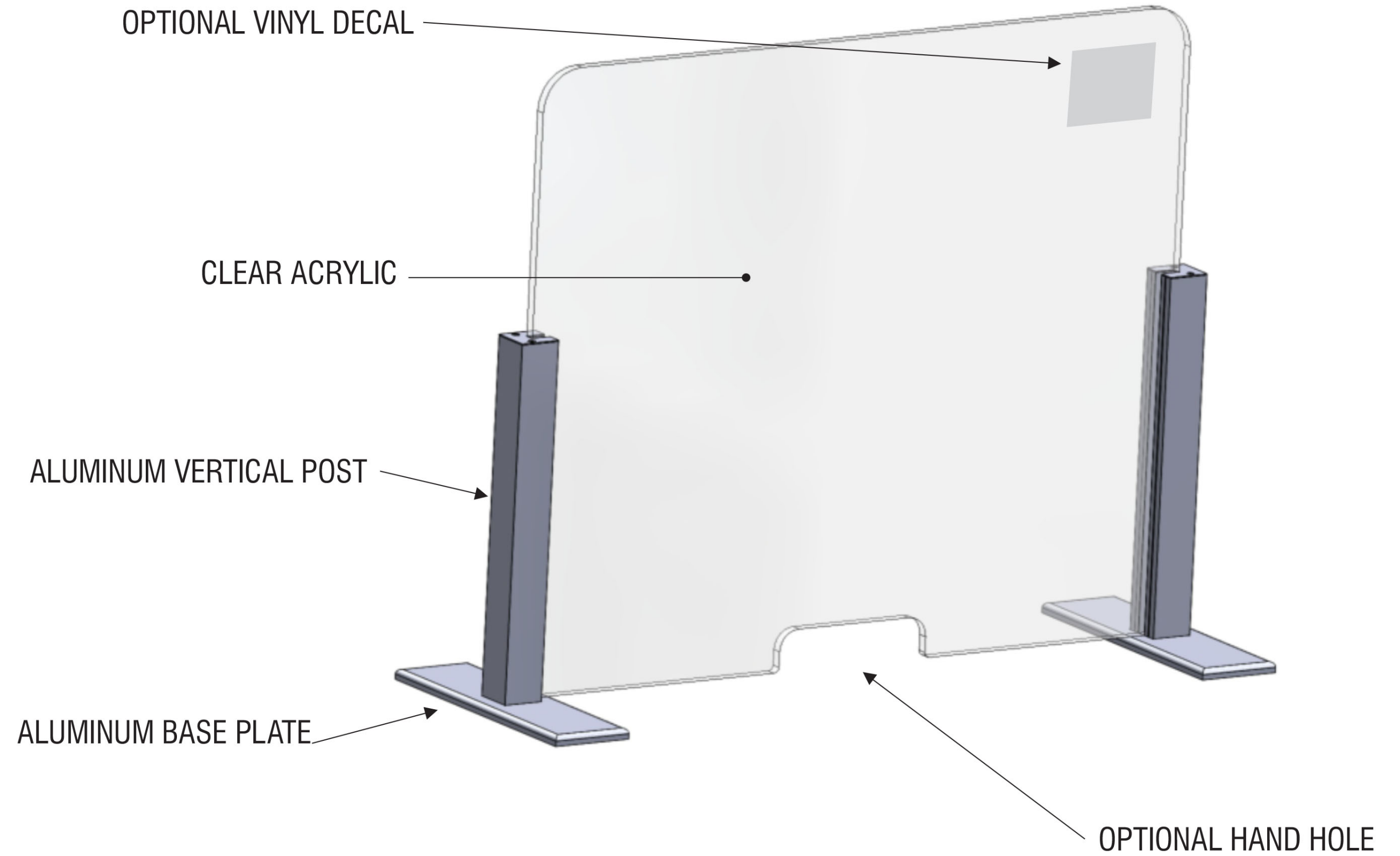
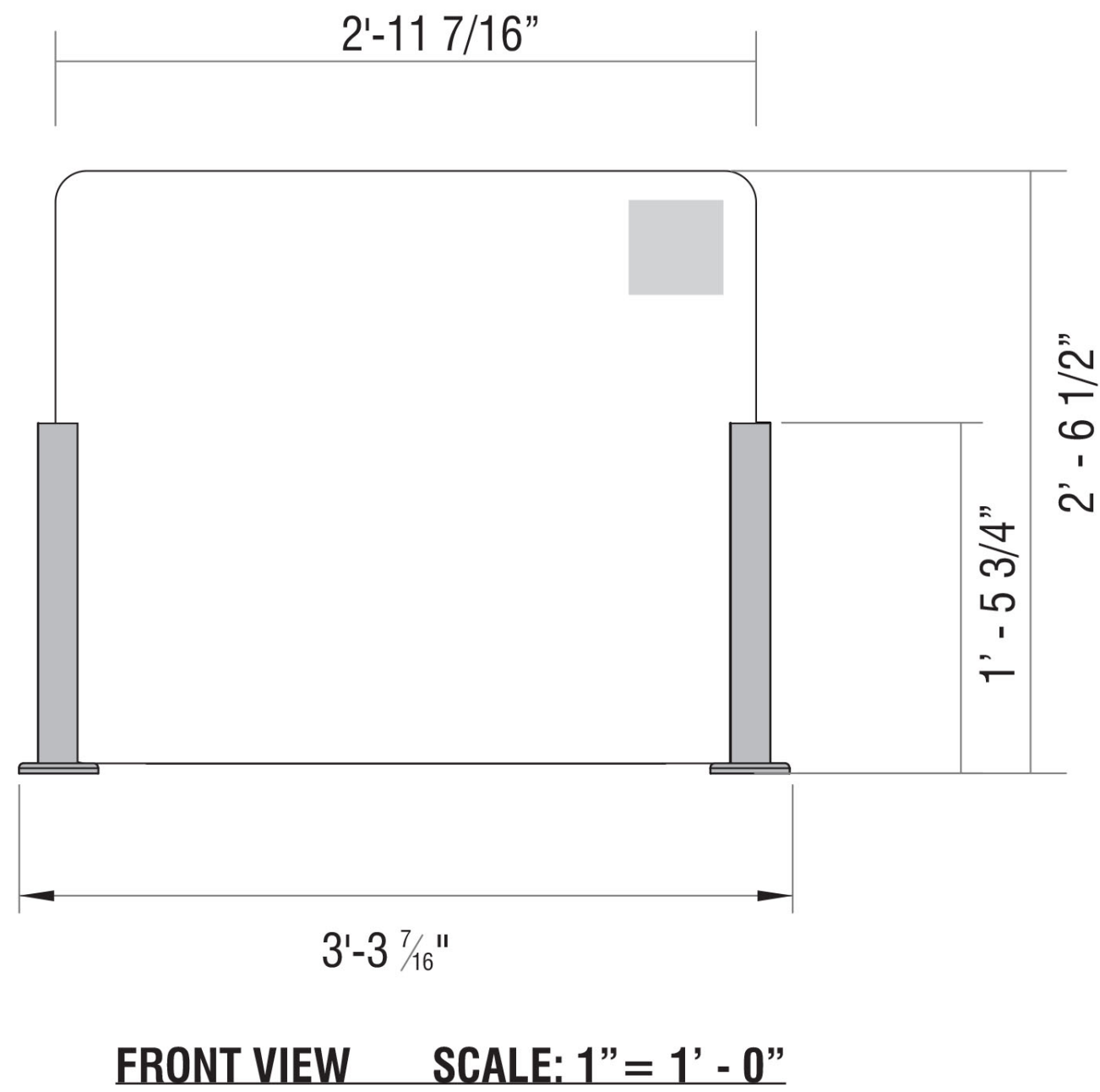
- Low cost alternative to the design above with all of the same features except the supports are also acrylic
- Notched acrylic face and supports are easily slid together for final assembly.



Optional hand hole  
available for smooth  
transactions.



# ●●● Acrylic & Metal Support Version I



**001 SIGNTYPE GUARD**

**MANUFACTURE ONE (1) GUARD**

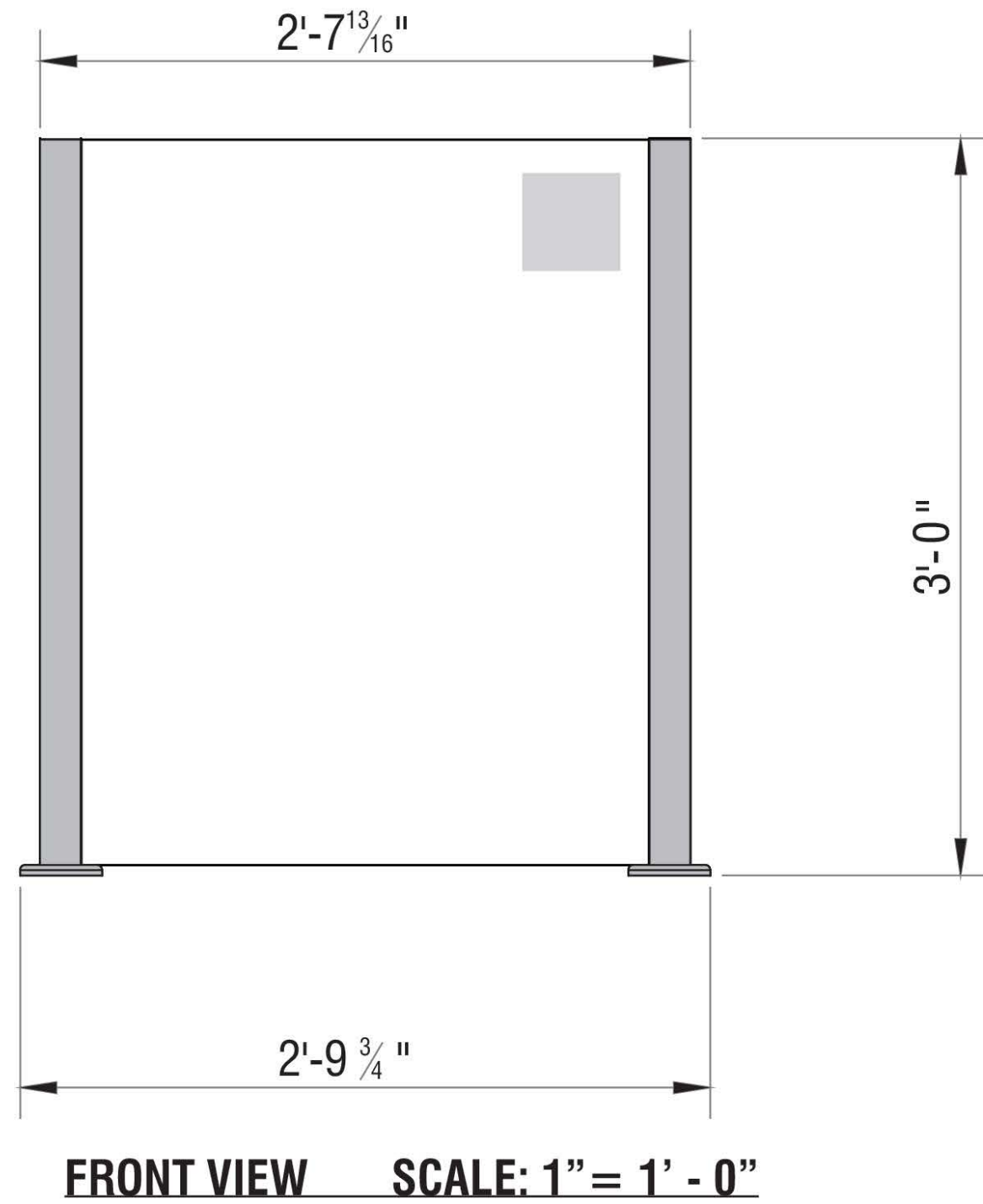
**FACE:** CLEAR ACRYLIC

**LEGS:** ALUMINUM VERTICAL POST

**BASE:** ALUM BASE PLATE

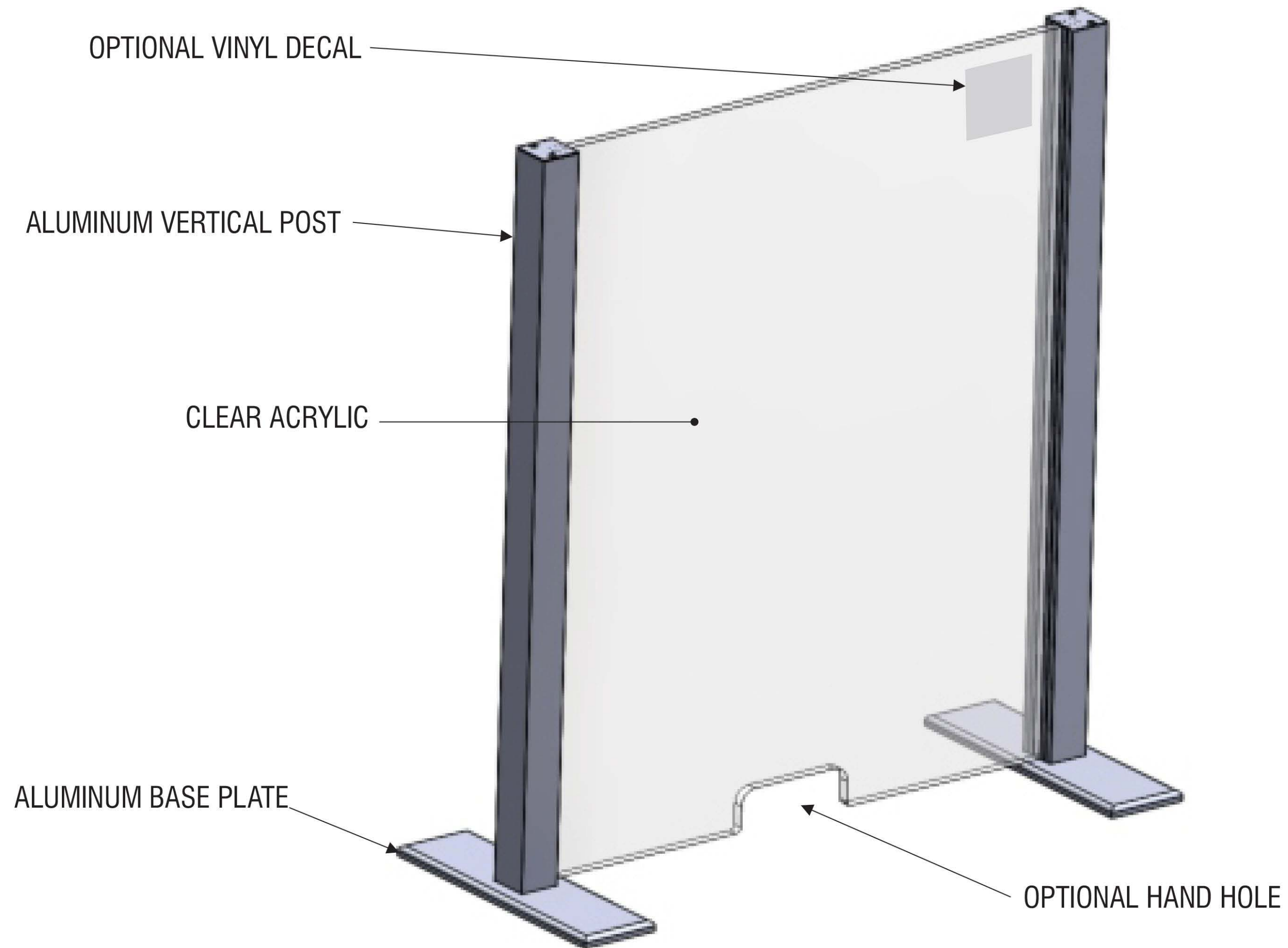
**VINYL:** OPTIONAL LOGO VINYL DECAL

●●● Acrylic & Metal Support Version II

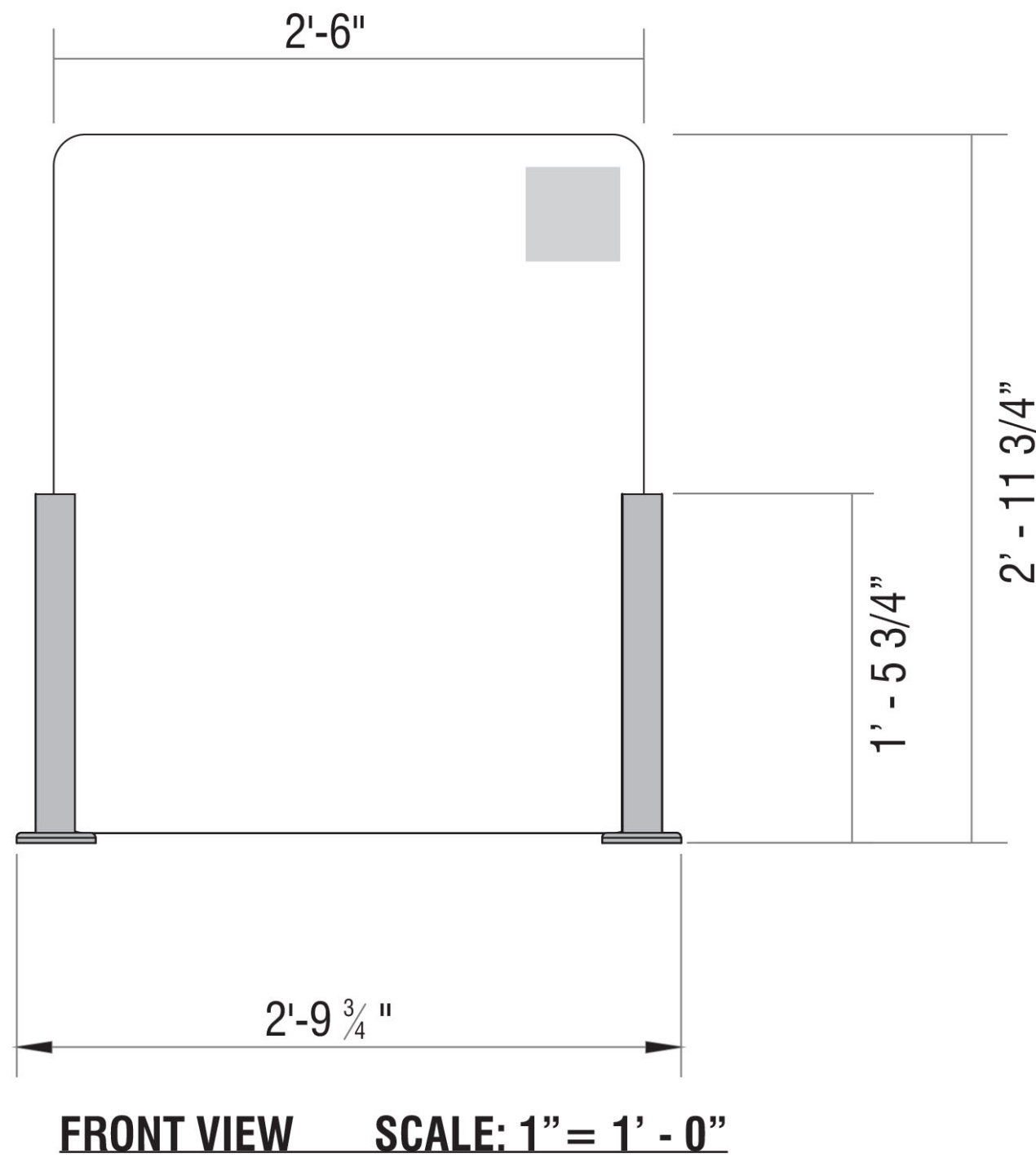


003 SIGNTYPE GUARD

- MANUFACTURE ONE (1) GUARD**
- FACE:** CLEAR ACRYLIC
- LEGS:** ALUMINUM VERTICAL POST
- BASE:** ALUM BASE PLATE
- VINYL:** OPTIONAL LOGO VINYL DECAL



●●● Acrylic & Metal Support Version III



002 SIGNTYPE GUARD

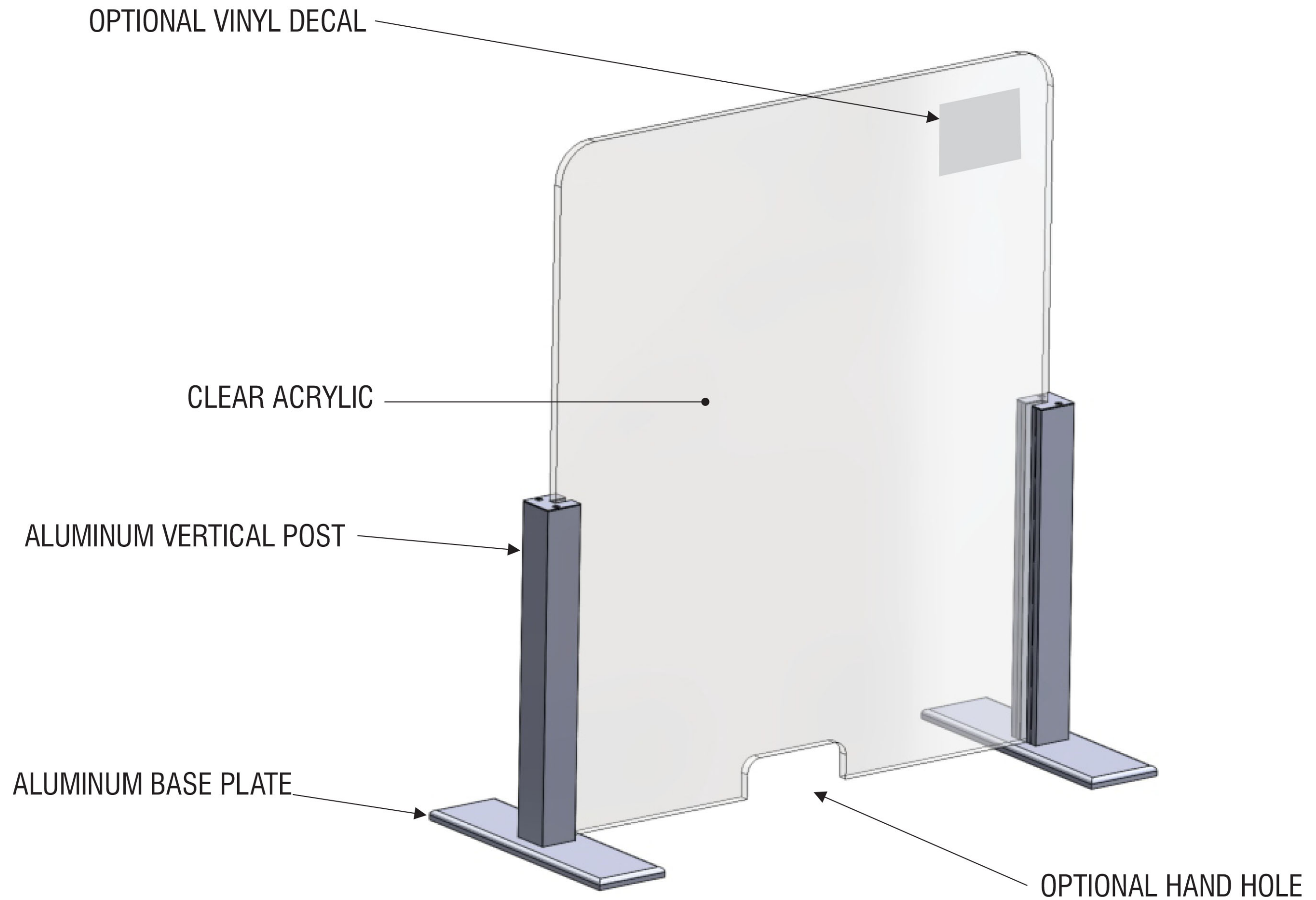
**MANUFACTURE ONE (1) GUARD**

**FACE:** CLEAR ACRYLIC

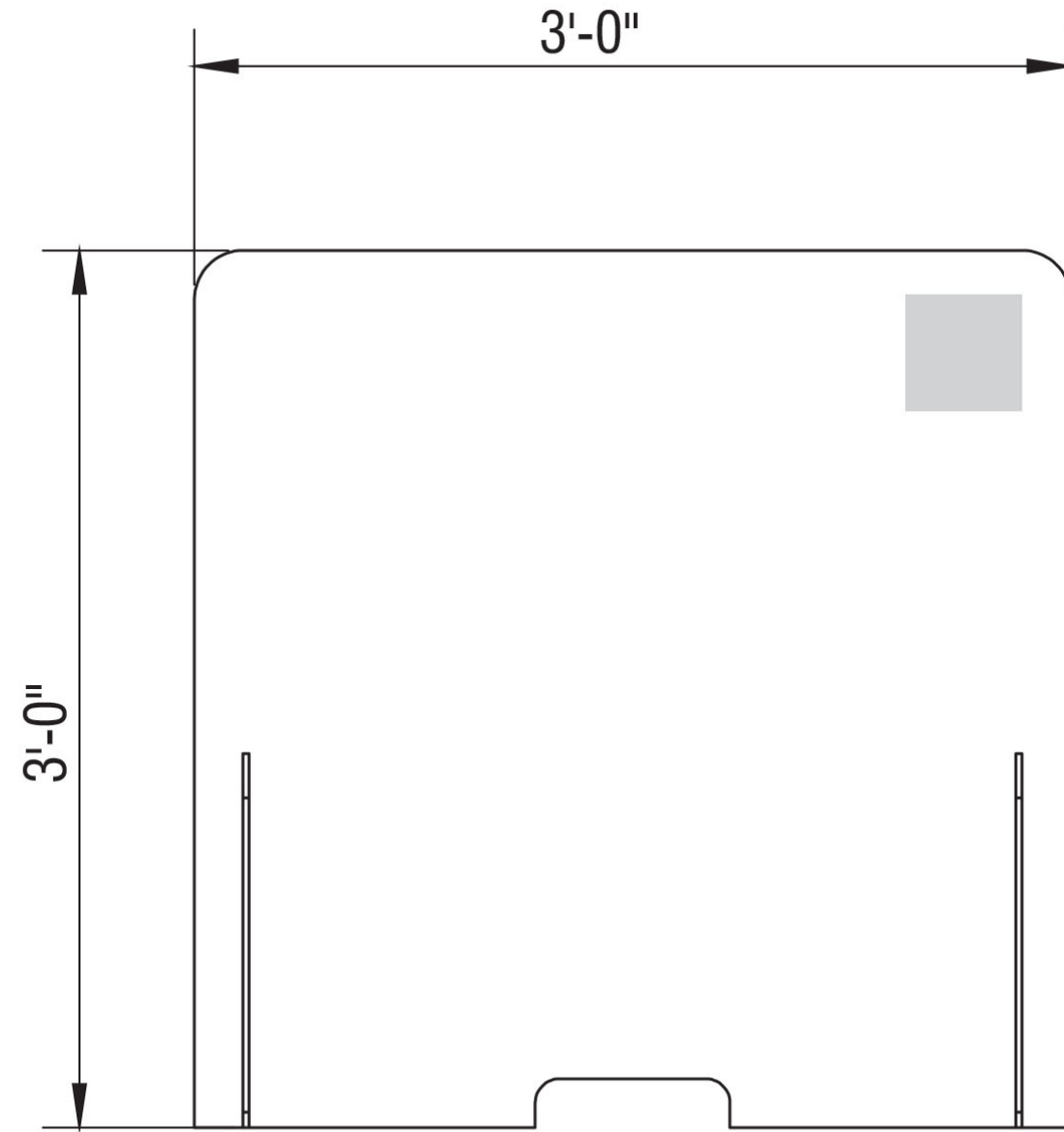
**LEGS:** ALUMINUM VERTICAL POST

**BASE:** ALUM BASE PLATE

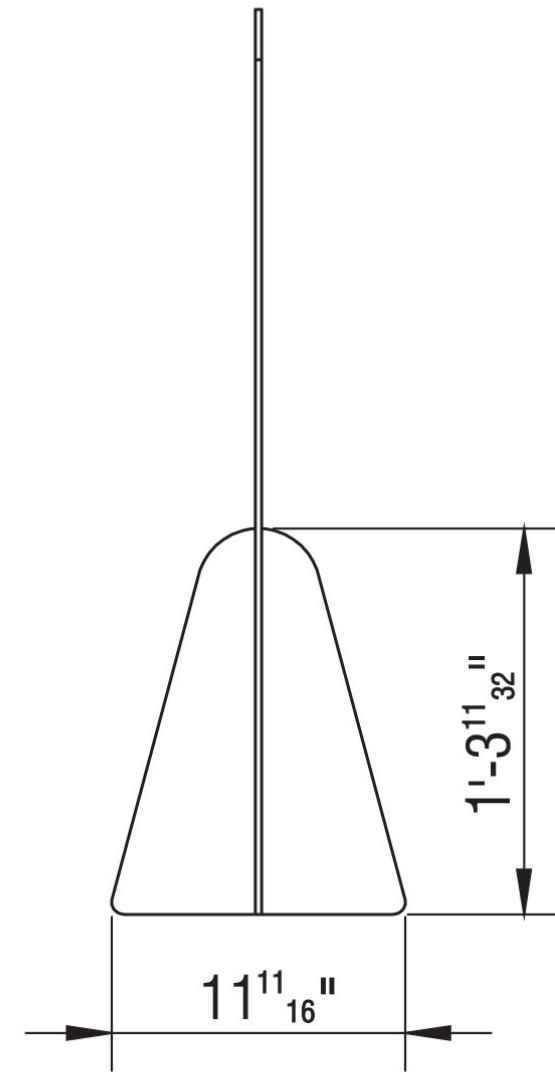
**VINYL:** OPTIONAL LOGO VINYL DECAL



●●● All Acrylic Version



**FRONT VIEW SCALE: 1" = 1' - 0"**



**SIDE VIEW SCALE: 1" = 1' - 0"**

**004 SIGNTYPE GUARD**

**MANUFACTURE ONE (1) GUARD**

**FACE:** CLEAR ACRYLIC

**LEGS:** CLEAR ACRYLIC

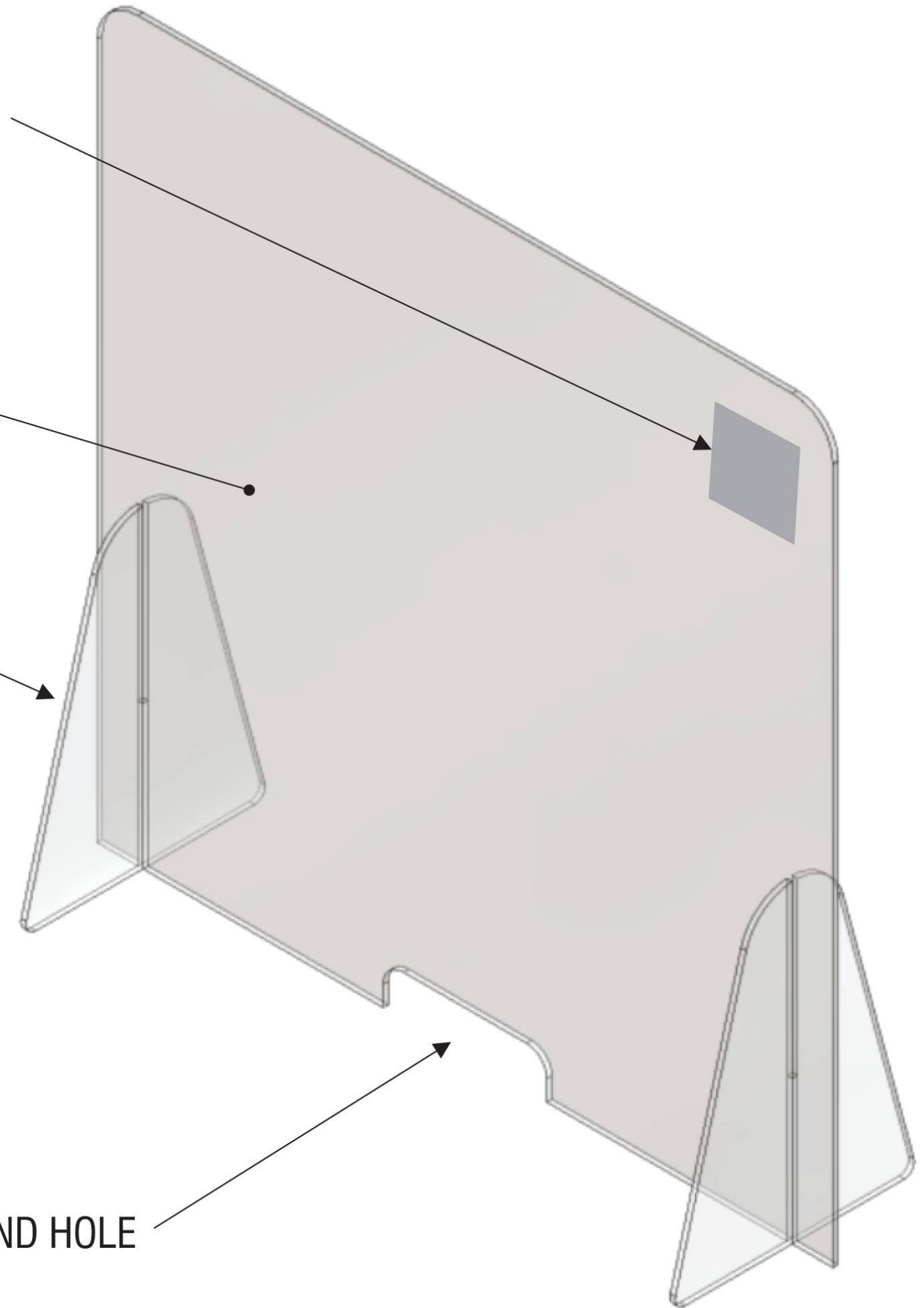
**VINYL:** OPTIONAL LOGO VINYL DECAL

OPTIONAL VINYL DECAL

CLEAR ACRYLIC FACE

CLEAR ACRYLIC LEGS

OPTIONAL HAND HOLE





● ● ● Additional Protective Tools

## Social Distance Floor Graphics

Create safe distancing guidelines without compromising on your brand. This slip resistant, social distance floor graphic can be customized to your environment and printed with your company logo.





● ● ● Be. Safe. Be. Adaptable.

### Headquarters

866.473.3222 (Toll Free)  
925.687.5454 (Main)  
925.771.1579 (Fax)  
5159 Commercial Circle | Suite C  
Concord, CA 94520

### Distribution Center

866.473.3222 (Toll Free)  
435 B Reynolds Circle  
San Jose, CA 95112  
By appointment only.

**Be.** workplace  
design

ph: 866.473.3222

hello@beworkplace.com | beworkplace.com

